

## TP3-P SERIES Direct Water Pump



Power: 0.37 kW

50Hz

Head: Up to 35 M

Flow: Up to 35 L/min

60Hz

Head: Up to 40 M

Flow: Up to 42 L/min

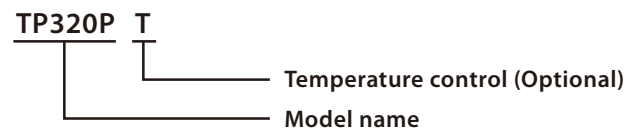
Outlet: 3/4" - 1"

### Applications:

Ideal for pumping clean, non-volatile liquids without fibres or solids in such applications as :

1. The water supply for apartment and residences
2. Portable water supply or underground
3. Irrigation
4. Washing/cleaning system

### Model code:



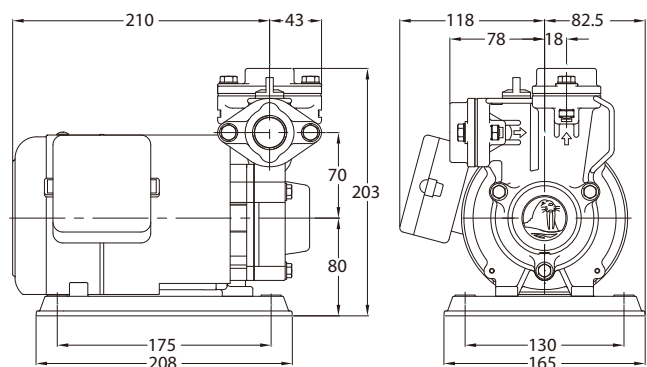
### Operation Conditions:

1. Ambient temperature: Max. +40°C
2. Liquid temperature: +4°C ~ +40°C
3. Suction head: Max. 8 m

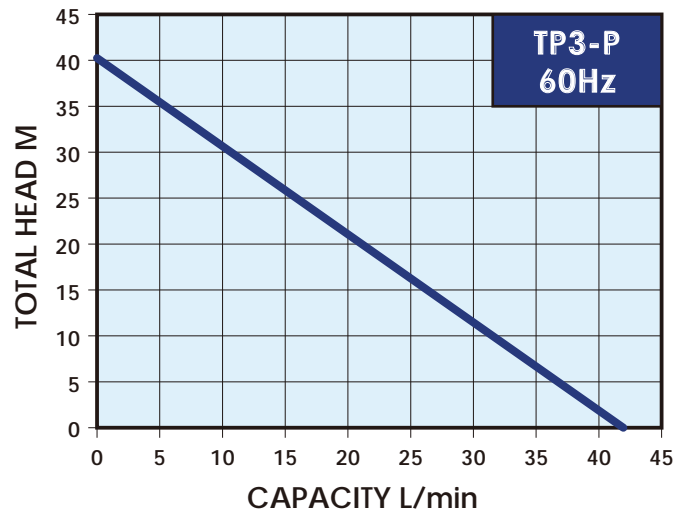
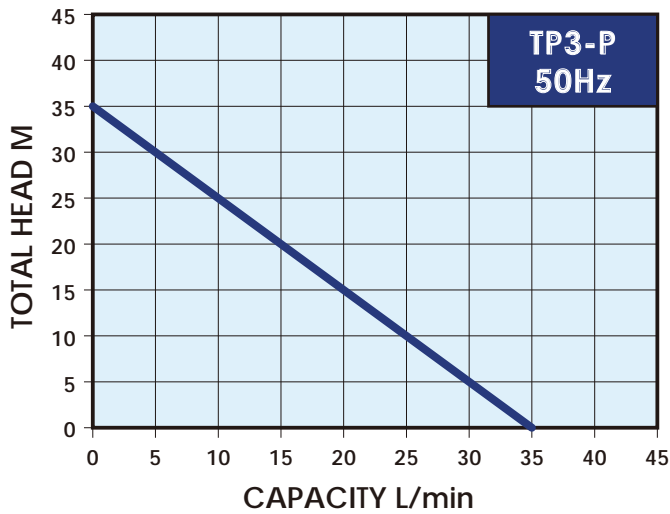
### Dimensions:

### Product Features:

1. Manufactured with non-corrosive rust proof materials.
2. Special design high efficiency and low noise impeller.
3. High quality mechanical seal ensuring no leakage and long life.
4. Compact design, small size, easy installation.
5. Every pumps tested in our factory to ensure quality and reliability.
6. High performance, electricity saving motor with patented cooling construction. Build-in thermal overload protector for motor burnt out protection.



## Performance curve:



## Specification, 50Hz

Model	Power (kW)	Cycle (Hz)	Phase (Ø)	Voltage (V)	Amp's (A)	Inlet (in.)	Outlet (in.)	H max. (m)	Q max. (L/min)	N.W. (kg)	
TP320P(T)	0.37	50	1	200-240	2.7	¾"	¾"	35	35	6.7	60
TP325P(T)						1"	1"				

## Specification, 60Hz

Model	Power (kW)	Cycle (Hz)	Phase (Ø)	Voltage (V)	Amp's (A)	Inlet (in.)	Outlet (in.)	H max. (m)	Q max. (L/min)	N.W. (kg)	
TP320P(T)	0.37	60	1	110/220	5.2/2.6	¾"	¾"	40	42	6.7	60
TP325P(T)						1"	1"				

# TP3-P SERIES

# WALRUS