



川源（中国）机械有限公司
GSD Industrial Co.,Ltd.



CVDC

立式干井式不堵塞泵

CVDC vertical dry pit non-clog pump



CVDC立式干井式不堵塞泵

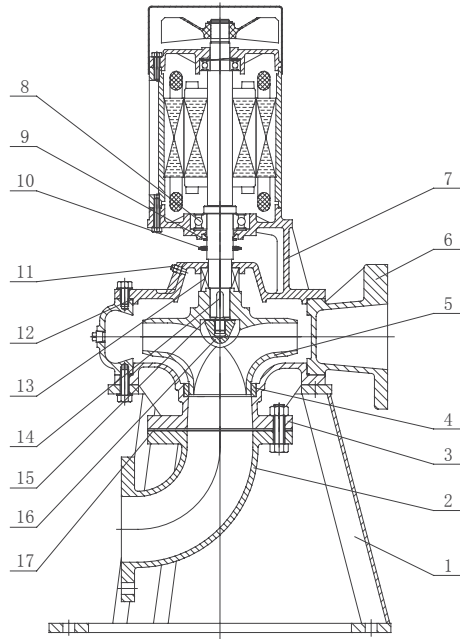
CVDC vertical dry pit non-clog pump

用途 Application

- 污水处理厂污泥及污物抽送。
- 生活废水及工厂污水抽送。
- Wastewater treatment plant sewage and sludge pumping equipment.
- Municipal and industrial wastewater pumping equipment.

特点 Features

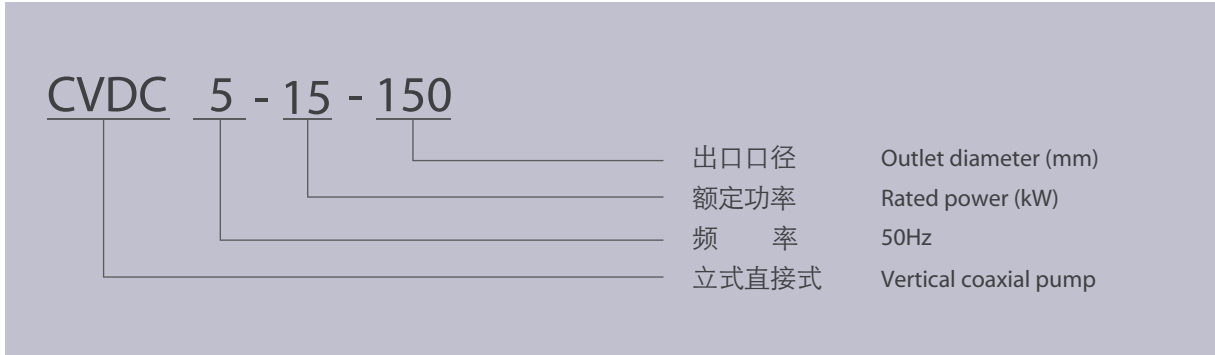
- 机组采用立式结构，泵与电机同轴，较之同类产品结构紧凑，占地面积小，节省投资。
- 叶轮为不堵塞型结构，流道宽大，污物容易通过，效率高，所有叶轮均经动、静平衡校正，运转平稳，寿命长。
- 使用全封闭滚珠轴承，可承受泵浦工作时所产生之轴向力。
- The whole machine is in vertical structure, pump and motor are coaxial. Compared with similar products, it is compact, small footprint and saving investment.
- Non-clog impeller is designed to allow sizable spherical solids to pass the flow passage easily without clogging. High efficiency. All impeller have been well statically & dynamically balanced. Operating stably and having long operating life.
- Full closed ball bearings add protection for high loads.



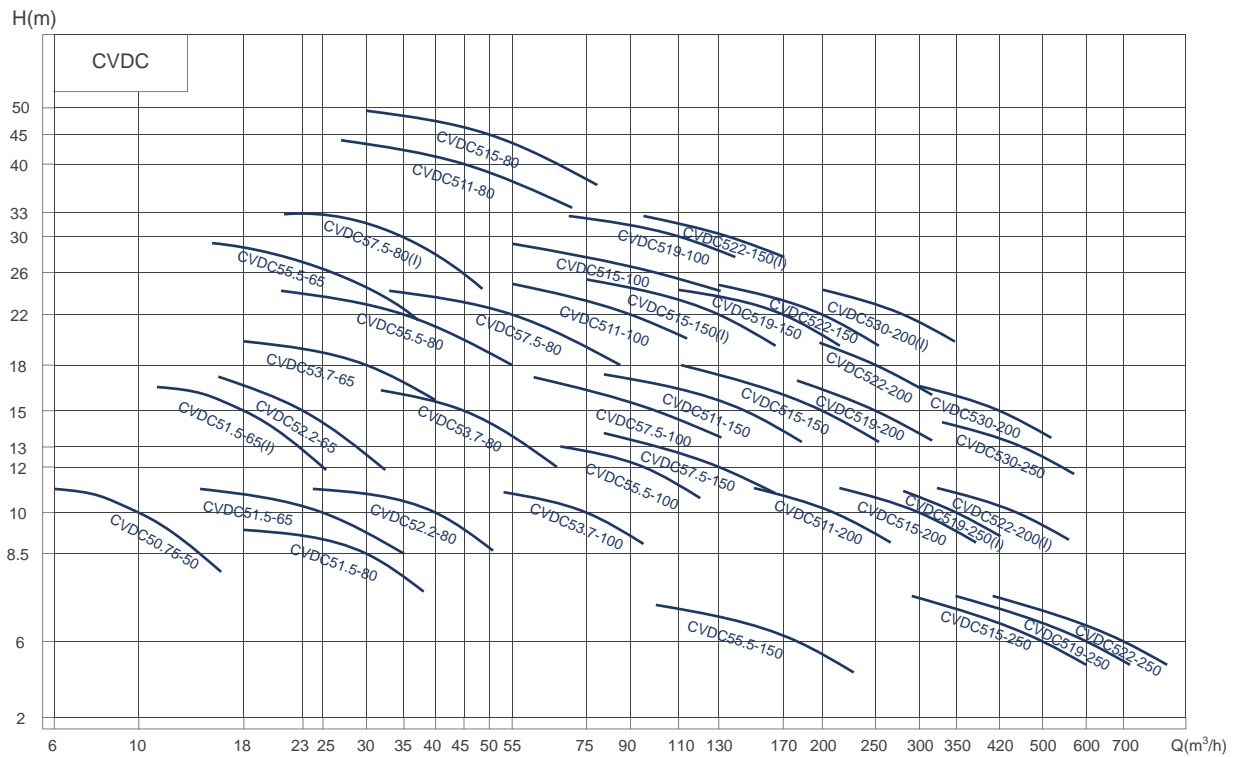
NO.	名称	Name	材质 Material	
			GB	JIS
1	泵支架	Pump stent	Q235A	SS400
2	弯管	Bent pipe	HT200	FC200
3	前盖	Front cover	HT200	FC200
4	密封环	Seal ring	ZCuSn10Pb5	LBC2
5	叶轮	Impeller	HT200	FC200
6	泵体	Pump casing	HT200	FC200
7	中承座	Bracket	HT200	FC200
8	轴承	Bearing	-	-
9	密封圈	Seal ring	VITON	VITON
10	挡水圈	Water deflector	NBR	NBR
11	排气孔丝堵	Vent plug	Q235A	SS400
12	O型圈	O ring	NBR	NBR
13	机械密封	Mechanical seal	SiC-SiC	SiC-SiC
14	键	Key	3Cr13	SUS420J ₂
15	止动垫圈	Stop washer	0Cr18Ni9	SUS304
16	叶轮螺母	Impeller nut	0Cr18Ni9	SUS304
17	法兰垫片	Flange washer	NBR	NBR



型号说明 Type description



性能曲线 Performance curves

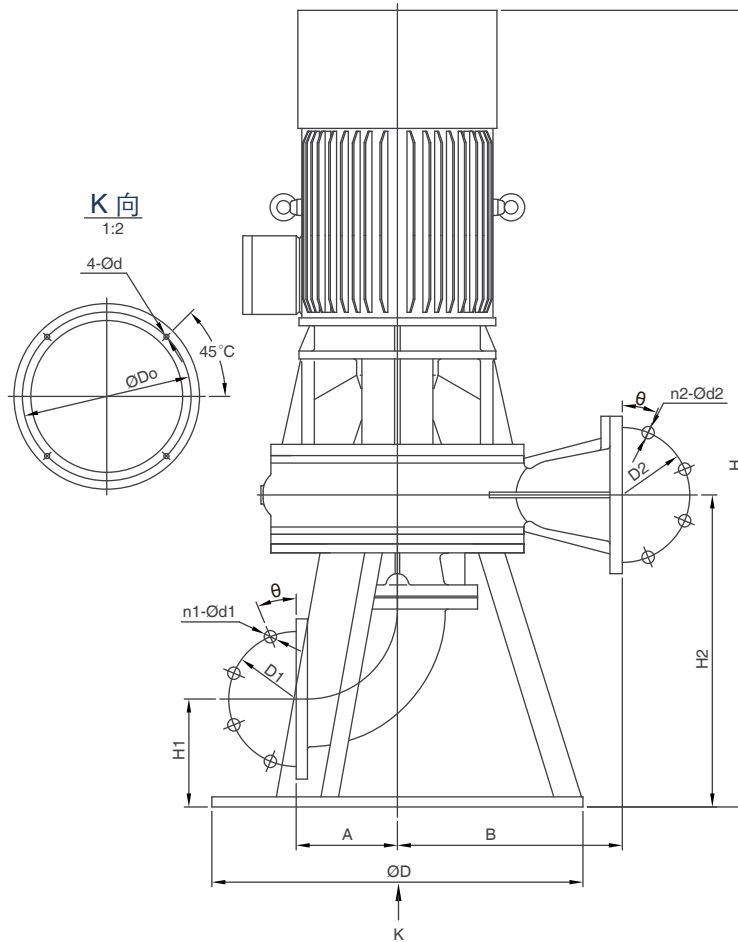


性能参数 Performance parameters

型号 Type	转速 Speed r/min	流量 Capacity m ³ /h	扬程 Head m	效率 Eff %	电机功率 Motor Power kW	口径 Dia. mm	重量 Weight kg
CVDC50.75-50	1450	10	10	50	0.75	50	60
CVDC51.5-65	1450	25	10	60	1.5	65	82
CVDC51.5-65(I)	1450	18	15	60	1.5	65	89
CVDC52.2-65	1450	23	15	60	2.2	65	92
CVDC53.7-65	1450	30	18	55	3.7	65	148
CVDC55.5-65	1450	26	26	47	5.5	65	150
CVDC51.5-80	1450	30	8.5	60	1.5	80	86
CVDC52.2-80	1450	40	10	60	2.2	80	91
CVDC53.7-80	1450	45	15	62	3.7	80	112
CVDC55.5-80	1450	35	22	55	5.5	80	157
CVDC57.5-80	1450	55	22	62	7.5	80	174
CVDC57.5-80(I)	1450	36	30	47	7.5	80	205
CVDC511-80	1450	45	40	60	11	80	285
CVDC515-80	1450	50	45	51	15	80	312
CVDC53.7-100	1450	75	10	70	3.7	100	127
CVDC55.5-100	1450	95	12	68	5.5	100	192
CVDC57.5-100	1450	100	15	70	7.5	100	190
CVDC511-100	1450	90	22	68	11	100	262
CVDC515-100	1450	100	26	65	15	100	275
CVDC519-100	1450	110	30	66	18.5	100	356
CVDC55.5-150	1450	180	6	73	5.5	150	201
CVDC57.5-150	1450	130	12	70	7.5	150	209
CVDC511-150	1450	145	15	72	11	150	277
CVDC515-150	1450	200	15	74	15	150	291
CVDC515-150(I)	1450	130	22	70	15	150	310
CVDC519-150	1450	170	22	73	18.5	150	362
CVDC522-150	1450	200	22	73	22	150	377
CVDC522-150(I)	1450	135	30	66	22	150	350
CVDC511-200	1450	210	10	70	11	200	330
CVDC515-200	1450	300	10	72	15	200	349
CVDC519-200	1450	250	15	75	18.5	200	398
CVDC522-200	1450	250	18	72	22	200	362
CVDC522-200(I)	1450	450	10	72	22	200	398
CVDC530-200	980	420	15	76	30	200	797
CVDC530-200(I)	980	280	22	74	30	200	797
CVDC515-250	1450	500	6	71	15	250	455
CVDC519-250	1450	600	6	71	18.5	250	495
CVDC519-250(I)	1450	350	10	71	18.5	250	495
CVDC522-250	1450	700	6	73	22	250	536
CVDC530-250	980	460	13	75	30	250	782



外形尺寸图 Installation dimensions



型号 Type	D_0	d	n_1	d_1	D_1	H_1	n_2	d_2	D_2	H_2	H	A	B	D	θ
CVDC50.75-50	380	15	4	18	125	132.5	4	18	125	345.5	722.5	110	210	420	45
CVDC51.5-65	420	15	4	18	145	157	4	18	145	405	833	120	220	460	45
CVDC51.5-65(I)	420	15	4	18	145	141	4	18	145	375	806.5	120	270	460	45
CVDC52.2-65	420	15	4	18	145	157	4	18	145	405	848	120	220	460	45
CVDC53.7-65	420	15	4	18	145	142.5	4	18	145	375.5	863	120	270	460	45
CVDC55.5-65	490	18	4	18	145	157	4	18	145	405	938	120	350	550	45
CVDC51.5-80	420	15	8	18	160	147	8	18	160	405	833	130	220	460	22.5
CVDC52.2-80	420	15	8	18	160	147	8	18	160	405	848	130	220	460	22.5
CVDC53.7-80	460	18	8	18	160	147	8	M16	160	420	923	130	255	520	22.5
CVDC55.5-80	460	18	8	18	160	147	8	M16	160	420	966	130	255	520	22.5
CVDC57.5-80	490	18	8	18	160	147	8	18	160	425	1005	130	270	550	22.5
CVDC57.5-80(I)	490	18	8	18	160	147	8	18	160	405	972	130	350	550	22.5
CVDC511-80	600	18	8	18	160	137	8	18	160	450	1150	130	380	680	22.5
CVDC515-80	600	18	8	18	160	137	8	18	160	450	1194	130	380	680	22.5
CVDC53.7-100	460	18	8	18	180	157	8	18	180	450	953	150	255	520	22.5
CVDC55.5-100	460	18	8	18	180	157	8	18	180	450	996	150	255	520	22.5
CVDC57.5-100	490	18	8	18	180	157	8	18	180	455	1035	150	270	550	22.5



型号 Type	Do	d	n1	d1	D1	H1	n2	d2	D2	H2	H	A	B	D	θ
CVDC511-100	560	18	8	18	180	157	8	18	180	500	1206	150	320	620	22.5
CVDC515-100	560	18	8	18	180	157	8	18	180	500	1250	150	320	620	22.5
CVDC519-100	560	18	8	18	180	157	8	M16	180	500	1322	150	400	620	22.5
CVDC55.5-150	540	18	8	22	240	187	8	22	240	544	1102	180	280	600	22.5
CVDC57.5-150	540	18	8	22	240	187	8	22	240	544	1136	180	280	600	22.5
CVDC511-150	530	18	8	22	240	183	8	22	240	506	1214	180	320	610	22.5
CVDC515-150	530	18	8	22	240	183	8	22	240	506	1258	180	320	610	22.5
CVDC515-150(I)	530	18	8	22	240	183	8	22	240	506	1258	180	320	610	22.5
CVDC519-150	600	18	8	22	240	182	8	22	240	555	1377	180	400	660	22.5
CVDC522-150	600	18	8	22	240	182	8	22	240	555	1417	180	400	660	22.5
CVDC522-150(I)	600	18	8	22	240	192	8	22	240	555	1417	180	400	660	22.5
CVDC511-200	600	19	8	23	295	247	8	23	295	682	1429	210	390	660	22.5
CVDC515-200	600	19	8	23	295	247	8	23	295	682	1473	210	390	660	22.5
CVDC519-200	600	19	8	23	295	247	8	23	295	682	1541	210	390	660	22.5
CVDC522-200	680	19	8	23	295	248	8	23	295	681	1580	210	480	760	22.5
CVDC522-200(I)	600	19	8	23	295	247	8	23	295	682	1581	210	390	660	22.5
CVDC530-200	780	19	8	23	295	247	8	23	295	710	1716	210	500	860	22.5
CVDC530-200(I)	780	19	8	23	295	247	8	23	295	710	1716	210	500	860	22.5
CVDC515-250	660	23	12	23	350	267	12	23	350	801	1610	260	450	720	15
CVDC519-250	660	23	12	23	350	267	12	23	350	801	1678	260	450	720	15
CVDC519-250(I)	660	23	12	23	350	267	12	23	350	801	1678	260	450	720	15
CVDC522-250	660	23	12	23	350	267	12	23	350	801	1718	260	450	720	15
CVDC530-250	780	23	12	23	350	277	12	23	350	850	1856	260	680	860	15



川源（中国）机械有限公司
GSD Industrial Co.,Ltd.

免费咨询电话

800-820-1977

本型录内容如有变更，恕不另行通知。
We reserve the right to change content without notice.