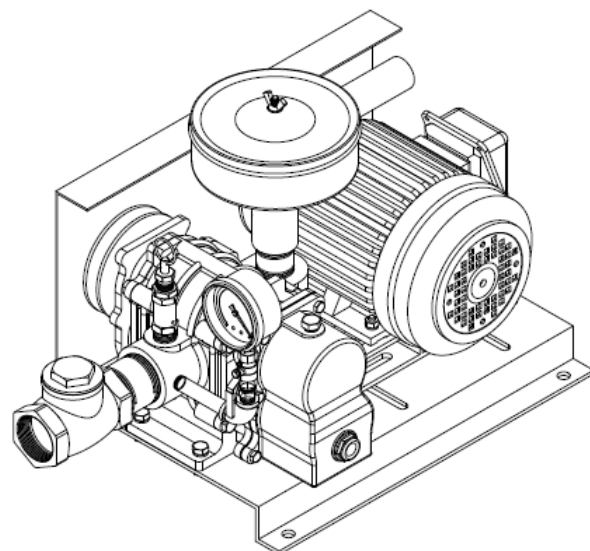


A photograph of an industrial facility featuring several tall, vertical distillation columns or towers. The columns are interconnected by a network of pipes and ladders. The sky is blue with scattered white clouds.

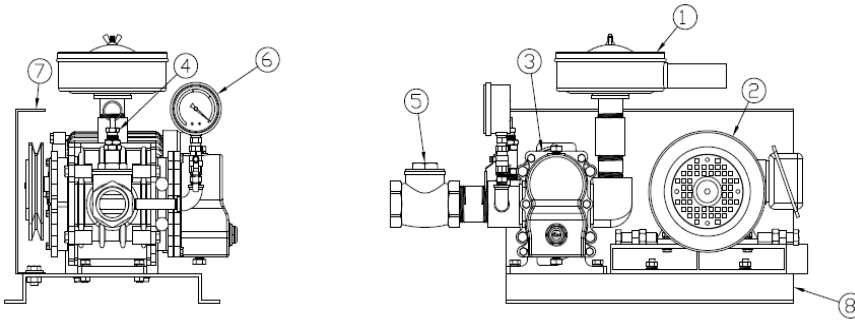
LRB

低压型三叶罗茨鼓风机

LRB low pressure three-lobe roots blower



Externality construction



NO	NAME
1	Suction Silencer
2	Motor
3	Blower Body
4	Safety Valve
5	Check Valve
6	Pressure Gauge
7	Belt Cover
8	Foundation

Type description

LRB – 40

DIAMETER (mm)

LOW PRESSURE THREE LOBE ROOTS BLOWER

Performance parameter

THREE LOBE ROOTS BLOWER												
Performance Table LRB-40												
RPM	1000 mmAq 0.1 kgf/cm ²		2000 mmAq 0.2 kgf/cm ²		3000 mmAq 0.3 kgf/cm ²		4000 mmAq 0.4 kgf/cm ²		5000 mmAq 0.5 kgf/cm ²		6000 mmAq 0.6 kgf/cm ²	
	Qs	La	Qs	La	Qs	La	Qs	La	Qs	La	Qs	La
	1500	0.50	0.26	0.46	0.34	0.42	0.42	0.38	0.50	0.34	0.58	0.30
1750	0.58	0.31	0.54	0.40	0.49	0.49	0.45	0.58	0.41	0.67	0.37	0.76
2000	0.66	0.35	0.61	0.46	0.56	0.56	0.51	0.66	0.46	0.77	0.41	0.87
2300	0.76	0.40	0.70	0.52	0.64	0.64	0.58	0.76	0.52	0.88	0.46	1.00
2600	0.88	0.64	0.82	0.76	0.76	0.88	0.70	1.00	0.64	1.12	0.58	1.24
3300	1.02	0.92	0.96	1.04	0.90	1.16	0.84	1.28	0.78	1.40	0.72	1.52

Speed Blower / RPM

Capacity / QS (m³/min)

Shaft Power / La (kw)

Pressure / (mmAq)

Installation dimensions

